

**safety&comfort**  
*on equal levels*



# TUBSAFE

*Kindness, Honesty, and Hard Working*

Low Step  
Door Threshold **6"**

## ProStep Walk-In Bathtub

### Therapeutic System

- Hydromassage System
- Air Massage System
- MicroBubble Skin Cleaning System



**Available Widths**  
**28" and 29.5"**

- Integrated Door Drain
- Water-Tight Door Seal
- Safety Grab Bar System
- Low, 6" Door Threshold
- U-Bar Safety System
- Hurry Drain® System
- Gelcoat Finish
- Non-Slip, Textured Floor
- 6 Adjustable Legs
- Curved Door Handle
- High-Gloss, Triple-Coated
- Flangeless Design
- One-Piece, Stainless-Steel Support Frame
- Color-Matched Extension Kit to Fill to 60"
- 17" High, ADA-Compliant, Contoured Seat
- 2 Integrated Front Access Maintenance Panels
- Marine-Grade Fiberglass and Resin Composite Tub Shell

# TUBSAFE

Kindness, Honesty, and Hard Working

## ProStep Walk-In Bathtub

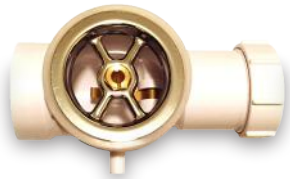
Our top seller and highest-demand product is the ProStep, offering a deep soak experience for every body. It's compact design and innovative features compliment any home bathroom. With a 20" upper door width and a lower 14" door width, the ProStep has the easiest entry, and accessibility to close the door while seated. TUBSAFE's ProStep walk-in tub can accommodate individuals up to 240 lbs.

Available in widths 28" and 29.5"

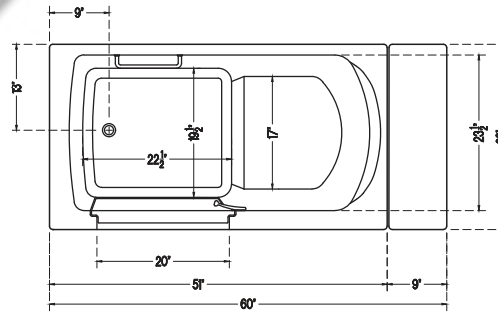


Hurry Drain® Included

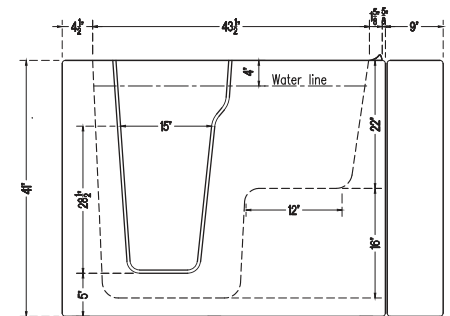
**3X**  
DRAIN  
SPEED



TOP VIEW



SIDE VIEW



### ProStep Model P28

Tub Dimensions	28" W x 51" L x 41" H
Top Diagonal	58 1/4"
Tub Weight	150 lbs.
Crated Dimensions	30" W x 53" L x 50" H
Water Capacity	120 lb. / 61 Gallons (with user inside approximately) 200 lb. / 56 Gallons 220 lb. / 54 Gallons
Seat Dimensions	H: 17" x W: 19 1/2"
Door Width	20" (At Top)
Door Swing	Inward-Swinging

### ProStep Model P29

Tub Dimensions	29 1/2" W x 51 1/2" L x 38 3/4" H
Top Diagonal	59 1/2"
Tub Weight	205 lbs.
Crated Dimensions	31 1/2" W x 53 1/2" L x 49" H
Water Capacity	120 lb. / 58 Gallons (with user inside approximately) 200 lb. / 53 Gallons 250 lb. / 50 Gallons
Seat Dimensions	H: 17" x W: 20"
Door Width	20" (At Top)
Door Swing	Inward-Swinging

### Door & Drain Placement Options



LEFT HAND



RIGHT HAND

### Drain Options

- 2" Hurry Drain™
- Emergency Drain (Secondary)
- Power Drain

### Drain Options

- 2" Hurry Drain™
- Emergency Drain (Secondary)
- Power Drain

### Color Options

- White
- Biscuit

Plumbing Safety Certified



Electrical Safety Certified



Lifetime Warranty



**Expedited Shipping**  
2 Weeks or Less

Tub Safe, Inc.  
9245 Laguna Springs Dr., #200  
Elk Grove CA 95758  
(800) 226-7233

