

safety&comfort
on equal levels



TUBSAFE

Kindness, Honesty, and Hard Working



Low Step
Door Threshold **6"**

Admiral Walk-In Bathtub

Therapeutic System

- Hydromassage System
- Air Massage System
- MicroBubble Skin Cleaning System

Available Widths
31.75" and 28"

- Integrated Door Drain
- Water-Tight Door Seal
- Safety Grab Bar System
- Low, 6" Door Threshold
- U-Bar Safety System
- Hurry Drain® System
- Gelcoat Finish
- Non-Slip, Textured Floor
- 6 Adjustable Legs
- Curved Door Handle
- High-Gloss, Triple-Coated
- Flangeless Design
- One-Piece, Stainless-Steel Support Frame
- Color-Matched Extension Kit to Fill to 60"
- 17" High, ADA-Compliant, Contoured Seat
- 2 Integrated Front Access Maintenance Panels
- Marine-Grade Fiberglass and Resin Composite Tub Shell

TUBSAFE

Kindness, Honesty, and Hard Working

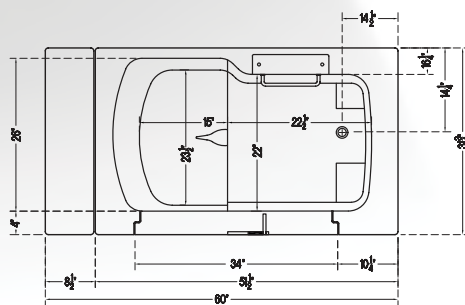
Admiral Walk-In Bathtub

The Admiral is our flagship walk-in tub for those needing a wider door entry. Recognized for its accessibility and ease of use as the deepest walk-in tub on the market, the Admiral fits both both small and large bathroom spaces offering a total immersive spa experience in the privacy of your home. TUBSAFE's custom installation makes the Admiral the perfect fit for your bathroom.

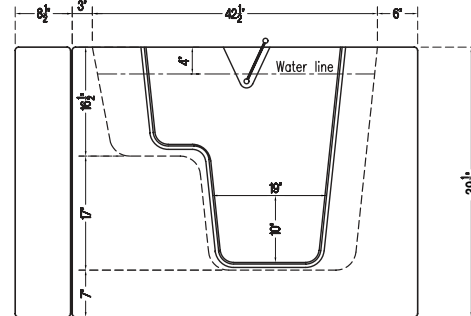


Available in widths 31.75" and 28"

TOP VIEW

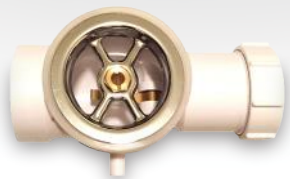


SIDE VIEW



Hurry Drain® Included

3X
DRAIN
SPEED



Admiral Model A28	
Tub Dimensions	28" W x 52" L x 40 1/4" H
Top Diagonal	59 1/4"
Tub Weight	200 lbs.
Crated Dimensions	30" W x 54" L x 52" H
Water Capacity (with user inside approximately)	120 lb. / 63 Gallons 200 lb. / 58 Gallons 250 lb. / 55 Gallons
Seat Dimensions	H: 15" x W: 2"
Door Width	34 3/4" (at top)
Door Swing	Outward-Swinging

Admiral Model A31	
Tub Dimensions	31 3/4" W x 51 1/2" L x 40 1/4" H
Top Diagonal	60 1/2"
Tub Weight	195 lbs.
Crated Dimensions	34 1/4" W x 54" L x 49" H
Water Capacity (with user inside approximately)	120 lb. / 65 Gallons 200 lb. / 60 Gallons 250 lb. / 57 Gallons
Seat Dimensions	H: 17" x W: 23"
Door Width	34 1/2" (At top)
Door Swing	Outward-Swinging

Door & Drain Placement Options

LEFT HAND

RIGHT HAND

Drain Options	
	2" Hurry Drain™
	Emergency Drain (Secondary)
	Power Drain

Drain Options	
	2" Hurry Drain™
	Emergency Drain (Secondary)
	Power Drain

Color Options

White Biscuit



Tub Safe, Inc.
9245 Laguna Springs Dr., #200
Elk Grove CA 95758
(800) 226-7233

